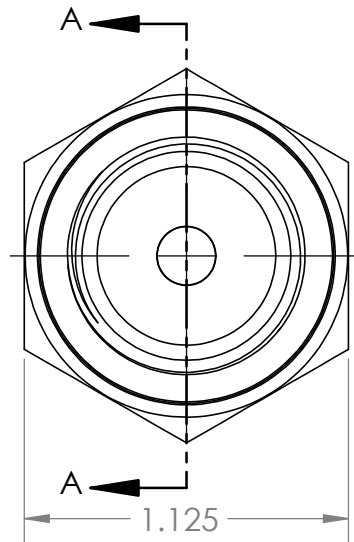
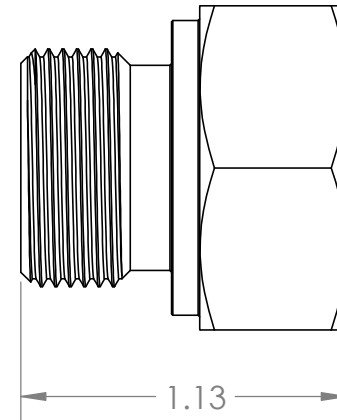
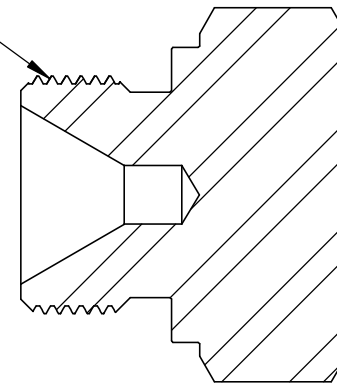


All BSPP Fittings have the ability to seal on internal metal cone or optional dowty seal applications



1/2" BSPP Male
G1/2"-14 Thread
per MASTER_8BM



SECTION A-A

REVISION NOTES AND DATES

UNLESS OTHERWISE SPECIFIED:

ALL DIMENSIONS ARE IN INCHES
TOLERANCES AS FOLLOWS:
1 PLACE DECIMAL (.0): ±.030
2 PLACE DECIMAL (.00): ±.020
3 PLACE DECIMAL (.000): ±.010
ANGLES: ±2°

SURFACE FINISH: 63RMS
BREAK ALL EDGES: .010-.015
FILLETS & ROUNDINGS: R.015 - 0.30

THREADS UNIFIED CLASS 2A - 2B
CHAMFER THREADS 45° TO ROOT
30° CHAMFER IS OPTIONAL
FOR MALE THREADS ONLY

| | NAME | DATE |
|-----------------------------|------|------------|
| DRAWN | MH | 07/03/2020 |
| CHECKED | KH | 07/03/2020 |
| DATE STARTED IN PRODUCTION: | | |
| 07/03/2020 | | |



**ULTRA PRESSURE COMPONENTS
HOUSTON, TX**

TITLE:
**1/2" BSPP Male Plug
30,000 psi**

| | | |
|------------------|----------------------|-----------------|
| SIZE A | DWG. NO. 5406P-8B | REV 1 |
|------------------|----------------------|-----------------|

SCALE: 1.5:1 WEIGHT: 0.24 SHEET 1 OF 1

PROPRIETARY AND CONFIDENTIAL
THE INFORMATION CONTAINED IN THIS DRAWING IS THE SOLE PROPERTY OF ULTRA PRESSURE COMPONENTS. ANY REPRODUCTION IN PART OR AS A WHOLE WITHOUT THE WRITTEN PERMISSION OF ULTRA PRESSURE COMPONENTS IS PROHIBITED.