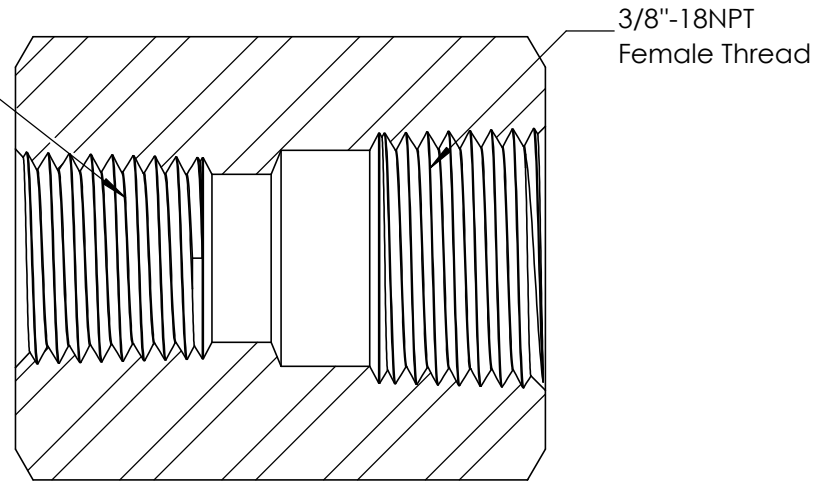


1/4"-18NPT
Female Thread



SECTION A-A

REVISION NOTES AND DATES

UNLESS OTHERWISE SPECIFIED:

ALL DIMENSIONS ARE IN INCHES
TOLERANCES AS FOLLOWS:
1 PLACE DECIMAL (.0): ±.030
2 PLACE DECIMAL (.00): ±.020
3 PLACE DECIMAL (.000): ±.010
ANGLES: ±2°

SURFACE FINISH: 63RMS
BREAK ALL EDGES: .010-.015
FILLETS & ROUNDS: R.015 - 0.30

THREADS UNIFIED CLASS 2A - 2B
CHAMFER THREADS 45° TO ROOT
30° CHAMFER IS OPTIONAL
FOR MALE THREADS ONLY

	NAME	DATE
DRAWN	MH	06/07/2022
CHECKED	KH	06/07/2022
DATE STARTED IN PRODUCTION:		
06/07/2022		

**ULTRA PRESSURE COMPONENTS
HOUSTON, TX**

TITLE:
1/4" NPT Female x 3/8" NPT Female
15,000 psi

SIZE A	DWG. NO. 5000-4N6N	REV Y
------------------	-----------------------	-----------------

SCALE: 2:1 WEIGHT: 0.25 SHEET 1 OF 1

PROPRIETARY AND CONFIDENTIAL

THE INFORMATION CONTAINED IN THIS DRAWING IS THE SOLE PROPERTY OF ULTRA PRESSURE COMPONENTS. ANY REPRODUCTION IN PART OR AS A WHOLE WITHOUT THE WRITTEN PERMISSION OF ULTRA PRESSURE COMPONENTS IS PROHIBITED.

