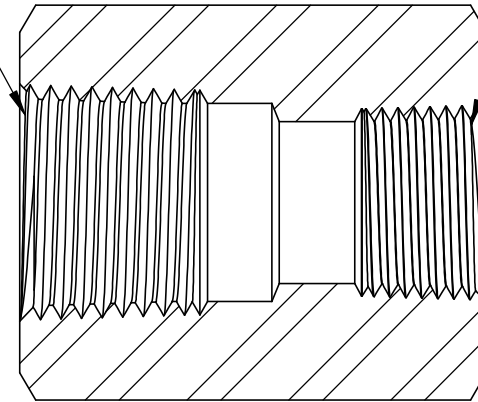


1/2"-14NPT Female
per MASTER_8NF

3/8"-18NPT Thread
per MASTER_6NF



SECTION A-A

UNLESS OTHERWISE SPECIFIED:

- 1) DIMENSIONS ARE IN INCHES
- 2) TOLERANCES:
 FRACTIONAL $\pm 1/64"$
 ANGULAR: MACH $\pm 2^\circ$
 ONE PLACE DECIMAL $\pm .020$
 TWO PLACE DECIMAL $\pm .010$
 THREE PLACE DECIMAL $\pm .005$
- 3) THREADS UNIFIED CLASS
 2A - 2B
- 4) SURFACE FINISH 63 μ in Ra
- 5) CHAMFER THREADS:
 MALE - 30° TO ROOT
 FEMALE - 45° TO ROOT

	NAME	DATE
DRAWN	MH	11/8/2017
CHECKED	KH	11/8/2017
DATE STARTED IN PRODUCTION:		
11/8/2017		

**ULTRA PRESSURE COMPONENTS
HOUSTON, TX**

TITLE:
3/8" NPT Female x 1/2" NPT Female
15,000 psi

SIZE A	DWG. NO. 5000-6N8N	REV 0
------------------	-----------------------	-----------------

SCALE: 1.5:1 WEIGHT: 0.40 SHEET 1 OF 1

REVISION NOTES AND DATES

PROPRIETARY AND CONFIDENTIAL

THE INFORMATION CONTAINED IN THIS DRAWING IS THE SOLE PROPERTY OF ULTRA PRESSURE COMPONENTS. ANY REPRODUCTION IN PART OR AS A WHOLE WITHOUT THE WRITTEN PERMISSION OF ULTRA PRESSURE COMPONENTS IS PROHIBITED.

