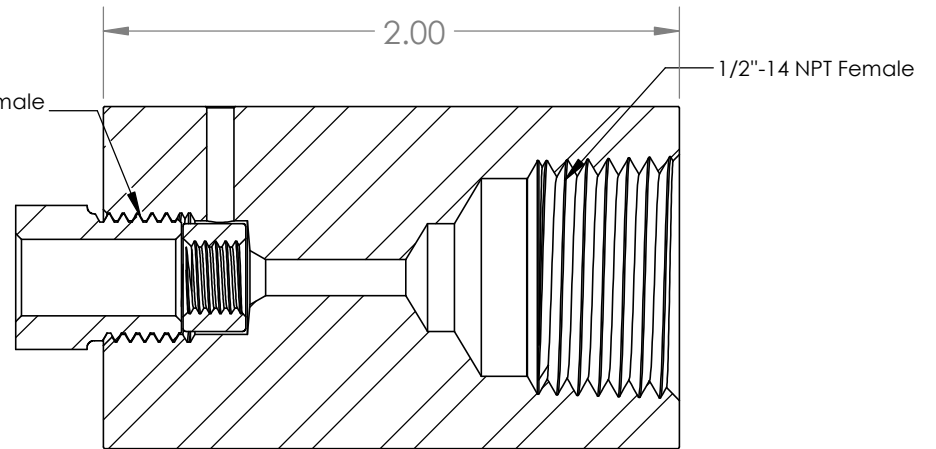


1/4" Medium Pressure Female  
7/16"-20UN Thread



SECTION A-A

REVISION NOTES AND DATES

UNLESS OTHERWISE SPECIFIED:

ALL DIMENSIONS ARE IN INCHES  
TOLERANCES AS FOLLOWS:  
1 PLACE DECIMAL (.0): ±.030  
2 PLACE DECIMAL (.00): ±.020  
3 PLACE DECIMAL (.000): ±.010  
ANGLES: ±2°

SURFACE FINISH: 63RMS  
BREAK ALL EDGES: .010-.015  
FILLETS & ROUNDINGS: R.015 - 0.30

THREADS UNIFIED CLASS 2A - 2B  
CHAMFER THREADS 45° TO ROOT  
30° CHAMFER IS OPTIONAL  
FOR MALE THREADS ONLY

	NAME	DATE
DRAWN	BM	9/8/2020
CHECKED	KH	9/8/2020
DATE STARTED IN PRODUCTION:		
9/8/2020		



**ULTRA PRESSURE COMPONENTS  
HOUSTON, TX**

TITLE:  
1/2" NPT Female x 1/4" MP Female  
15,000 psi

SIZE	DWG. NO.	REV
<b>A</b>	5000-8N4M	<b>1</b>
SCALE: 1.5:1	WEIGHT: 0.61	SHEET 1 OF 1

**PROPRIETARY AND CONFIDENTIAL**  
THE INFORMATION CONTAINED IN THIS DRAWING IS THE SOLE PROPERTY OF ULTRA PRESSURE COMPONENTS. ANY REPRODUCTION IN PART OR AS A WHOLE WITHOUT THE WRITTEN PERMISSION OF ULTRA PRESSURE COMPONENTS IS PROHIBITED.