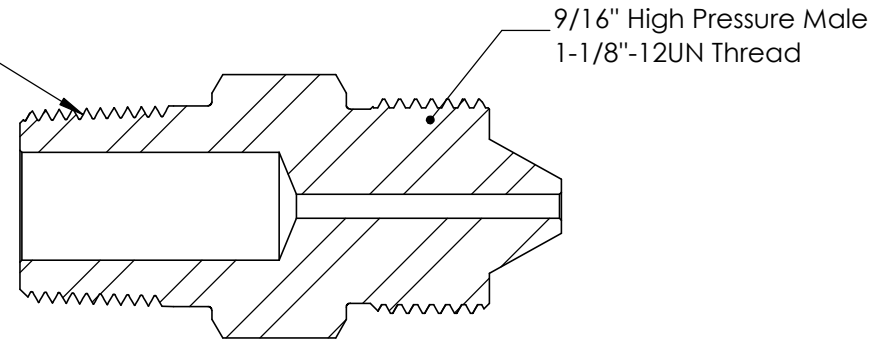


3/4"-14NPT
Male Thread



9/16" High Pressure Male
1-1/8"-12UN Thread

REVISION NOTES AND DATES

UNLESS OTHERWISE SPECIFIED:

ALL DIMENSIONS ARE IN INCHES
TOLERANCES AS FOLLOWS:

1 PLACE DECIMAL (.0): ±.030
2 PLACE DECIMAL (.00): ±.020
3 PLACE DECIMAL (.000): ±.010
ANGLES: ±2°

SURFACE FINISH: 63RMS
BREAK ALL EDGES: .010-.015
FILLETS & ROUNDINGS: R.015 - 0.30

THREADS UNIFIED CLASS 2A - 2B
CHAMFER THREADS 45° TO ROOT
30° CHAMFER IS OPTIONAL
FOR MALE THREADS ONLY

	NAME	DATE
DRAWN	BM	11/8/2022
CHECKED	KH	12/06/2022

DATE STARTED IN PRODUCTION:

12/06/2022



**ULTRA PRESSURE COMPONENTS
HOUSTON, TX**

TITLE:

3/4" NPT MALE X 9/16" HP MALE
10,000 MAWP

SIZE	DWG. NO.	REV
A	5404-12N9H	Y

SCALE: 1:1	WEIGHT: 0.57	SHEET 1 OF 1
------------	--------------	--------------

PROPRIETARY AND CONFIDENTIAL

THE INFORMATION CONTAINED IN THIS DRAWING IS THE SOLE PROPERTY OF ULTRA PRESSURE COMPONENTS. ANY REPRODUCTION IN PART OR AS A WHOLE WITHOUT THE WRITTEN PERMISSION OF ULTRA PRESSURE COMPONENTS IS PROHIBITED.