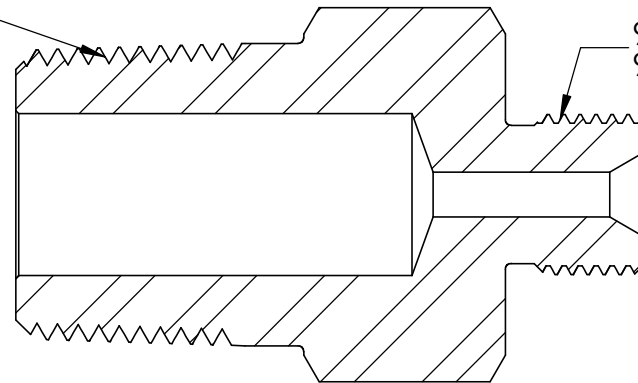


3/4"-14NPT  
Male Thread



9/16" Type M Male  
9/16"-18UN Thread

SECTION A-A

REVISION NOTES AND DATES

UNLESS OTHERWISE SPECIFIED:

ALL DIMENSIONS ARE IN INCHES  
TOLERANCES AS FOLLOWS:  
1 PLACE DECIMAL (.0): ±.020  
2 PLACE DECIMAL (.00): ±.010  
3 PLACE DECIMAL (.000): ±.005  
ANGLES: ±2°

SURFACE FINISH: 63RMS  
BREAK ALL EDGES: .010-.015  
FILLETS & ROUNDINGS: R.015 - 0.30

THREADS UNIFIED CLASS 2A - 2B  
CHAMFER THREADS 45° TO ROOT  
30° CHAMFER IS OPTIONAL  
FOR MALE THREADS ONLY

	NAME	DATE
DRAWN	BM	7/12/2023
CHECKED	KH	7/12/2023
DATE STARTED IN PRODUCTION:		
7/12/2023		



**ULTRA PRESSURE COMPONENTS  
HOUSTON, TX**

TITLE:  
1/2" NPT MALE X 9/16" MALE TYPE M  
10,000 PSI

SIZE	DWG. NO.	REV
<b>A</b>	5404-12NM9	<b>Y</b>
SCALE: 1.5:1	WEIGHT: 0.37	SHEET 1 OF 1

**PROPRIETARY AND CONFIDENTIAL**

THE INFORMATION CONTAINED IN THIS DRAWING IS THE SOLE PROPERTY OF ULTRA PRESSURE COMPONENTS. ANY REPRODUCTION IN PART OR AS A WHOLE WITHOUT THE WRITTEN PERMISSION OF ULTRA PRESSURE COMPONENTS IS PROHIBITED.