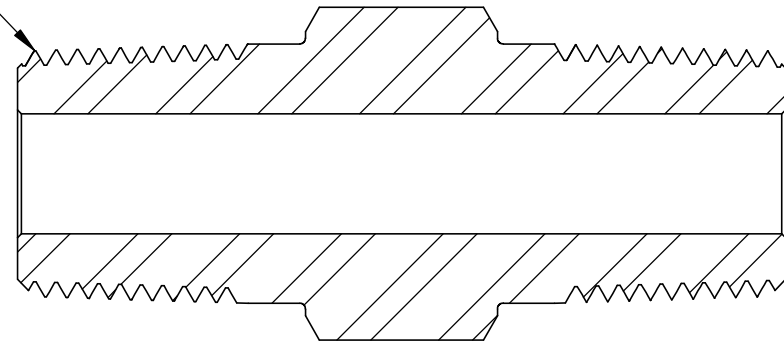


3/8"-18 NPT MALE
PER MASTER_6NM rev1
(BOTH SIDES)



SECTION A-A
SCALE 2 : 1

REVISION NOTES AND DATES

UNLESS OTHERWISE SPECIFIED:

- 1) DIMENSIONS ARE IN INCHES
- 2) TOLERANCES:
FRACTIONAL $\pm 1/64"$
ANGULAR: MACH $\pm 2^\circ$
ONE PLACE DECIMAL $\pm .020$
TWO PLACE DECIMAL $\pm .010$
THREE PLACE DECIMAL $\pm .005$
- 3) THREADS UNIFIED CLASS
2A - 2B
- 4) SURFACE FINISH 63 μ in Ra
- 5) CHAMFER THREADS:
MALE - 30° TO ROOT
FEMALE - 45° TO ROOT

	NAME	DATE
DRAWN	MH	02/24/17
CHECKED	KH	02/24/17
DATE STARTED IN PRODUCTION:		
02/24/17		

**ULTRA PRESSURE COMPONENTS
HOUSTON, TX**

TITLE:
3/8" NPT Male x 3/8" NPT Male
15,000 PSI

PROPRIETARY AND CONFIDENTIAL
THE INFORMATION CONTAINED IN THIS DRAWING IS THE SOLE PROPERTY OF ULTRA PRESSURE COMPONENTS. ANY REPRODUCTION IN PART OR AS A WHOLE WITHOUT THE WRITTEN PERMISSION OF ULTRA PRESSURE COMPONENTS IS PROHIBITED.



SIZE A	DWG. NO. 5404-6N6N	REV Y
------------------	------------------------------	-----------------

SCALE: 2:1 WEIGHT: 0.16 SHEET 1 OF 1