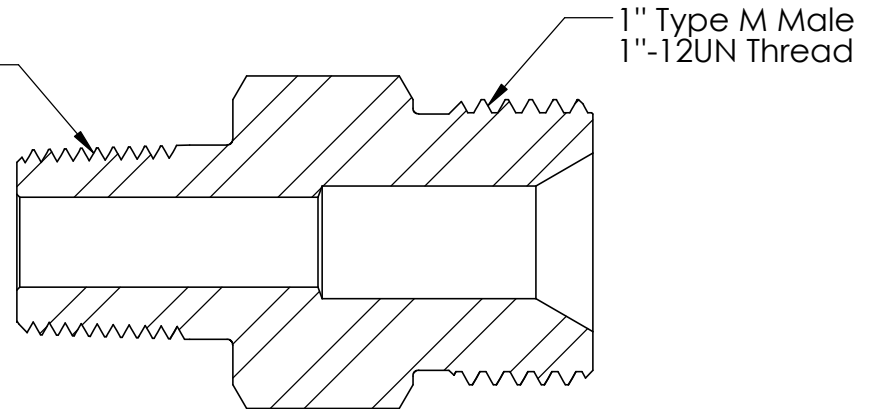


3/8"-18NPT
Male Thread



SECTION A-A

REVISION NOTES AND DATES

UNLESS OTHERWISE SPECIFIED:

ALL DIMENSIONS ARE IN INCHES
TOLERANCES AS FOLLOWS:
1 PLACE DECIMAL (.0): ±.020
2 PLACE DECIMAL (.00): ±.010
3 PLACE DECIMAL (.000): ±.005
ANGLES: ±2°

SURFACE FINISH: 63RMS
BREAK ALL EDGES: .010-.015
FILLETS & ROUNDINGS: R.015 - 0.30

THREADS UNIFIED CLASS 2A - 2B
CHAMFER THREADS 45° TO ROOT
30° CHAMFER IS OPTIONAL
FOR MALE THREADS ONLY

	NAME	DATE
DRAWN	BM	7/11/23
CHECKED	KH	7/11/23
DATE STARTED IN PRODUCTION:		
7/11/23		



**ULTRA PRESSURE COMPONENTS
HOUSTON, TX**

TITLE:
3/8" NPT Male x 1" Type M Male
15,000 psi

SIZE	DWG. NO.	REV
A	5404-6NM16	Y
SCALE: 1.5:1	WEIGHT: 0.29	SHEET 1 OF 1

PROPRIETARY AND CONFIDENTIAL
THE INFORMATION CONTAINED IN THIS DRAWING IS THE SOLE PROPERTY OF ULTRA PRESSURE COMPONENTS. ANY REPRODUCTION IN PART OR AS A WHOLE WITHOUT THE WRITTEN PERMISSION OF ULTRA PRESSURE COMPONENTS IS PROHIBITED.