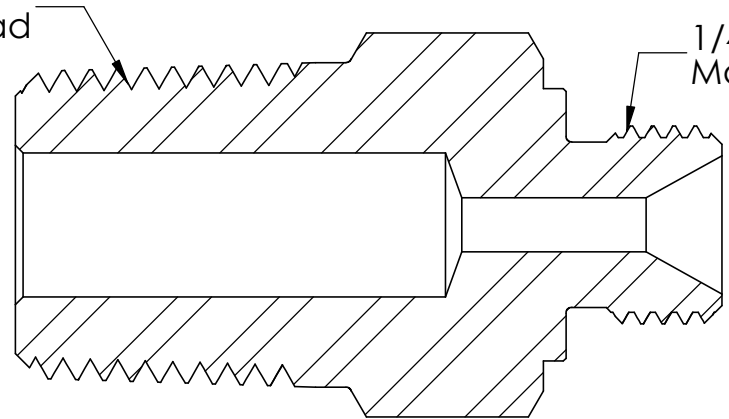


1/2"-14 NPT
Male Thread



1/4"-19 BSPP
Male Thread

SECTION A-A

REVISION NOTES AND DATES

UNLESS OTHERWISE SPECIFIED:
ALL DIMENSIONS ARE IN INCHES
TOLERANCES AS FOLLOWS:

1 PLACE DECIMAL (.0): ±.020
2 PLACE DECIMAL (.00): ±.010
3 PLACE DECIMAL (.000): ±.005
ANGLES: ±2°

SURFACE FINISH: 63RMS
BREAK ALL EDGES: .010-.015
FILLETS & ROUND: R.015 - 0.30

THREADS UNIFIED CLASS 2A - 2B
CHAMFER THREADS 45° TO ROOT
30° CHAMFER IS OPTIONAL
FOR MALE THREADS ONLY

	NAME	DATE
DRAWN	BM	1/25/2023
CHECKED	KH	01/20/2023
DATE STARTED IN PRODUCTION:		
01/20/2023		



We can handle Pressure

**ULTRA PRESSURE COMPONENTS
HOUSTON, TX**

TITLE:

1/2" NPT MALE X 1/4" BSP MALE
MAWP 15,000 PSI

SIZE	DWG. NO.	REV
A	5404-8N4B	Y

SCALE: 2:1	WEIGHT: 0.20	SHEET 1 OF 1
------------	--------------	--------------

PROPRIETARY AND CONFIDENTIAL

THE INFORMATION CONTAINED IN THIS DRAWING IS THE SOLE PROPERTY OF ULTRA PRESSURE COMPONENTS. ANY REPRODUCTION IN PART OR AS A WHOLE WITHOUT THE WRITTEN PERMISSION OF ULTRA PRESSURE COMPONENTS IS PROHIBITED.