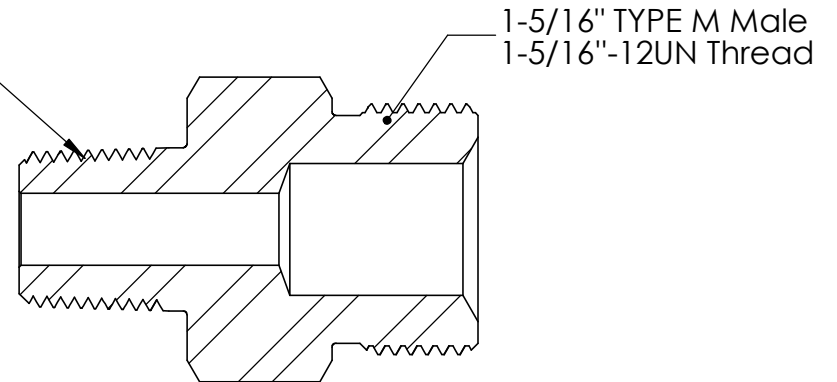


1/2"-14NPT  
Male Thread



SECTION A-A

REVISION NOTES AND DATES

UNLESS OTHERWISE SPECIFIED:

ALL DIMENSIONS ARE IN INCHES  
TOLERANCES AS FOLLOWS:  
1 PLACE DECIMAL (.0): ±.020  
2 PLACE DECIMAL (.00): ±.010  
3 PLACE DECIMAL (.000): ±.005  
ANGLES: ±2°

SURFACE FINISH: 63RMS  
BREAK ALL EDGES: .010-.015  
FILLETS & ROUNDINGS: R.015 - 0.30

THREADS UNIFIED CLASS 2A - 2B  
CHAMFER THREADS 45° TO ROOT  
30° CHAMFER IS OPTIONAL  
FOR MALE THREADS ONLY

	NAME	DATE
DRAWN	BM	7/11/2023
CHECKED	KH	7/11/2023
DATE STARTED IN PRODUCTION:		
7/11/2023		



**ULTRA PRESSURE COMPONENTS  
HOUSTON, TX**

TITLE:  
1/2" NPT MALE X 1-5/16" TYPE M  
15,000 psi

SIZE <b>A</b>	DWG. NO. 5404-8NM21	REV <b>Y</b>
SCALE: 1:1	WEIGHT: 0.59	SHEET 1 OF 1

**PROPRIETARY AND CONFIDENTIAL**  
THE INFORMATION CONTAINED IN THIS DRAWING IS THE SOLE PROPERTY OF ULTRA PRESSURE COMPONENTS. ANY REPRODUCTION IN PART OR AS A WHOLE WITHOUT THE WRITTEN PERMISSION OF ULTRA PRESSURE COMPONENTS IS PROHIBITED.