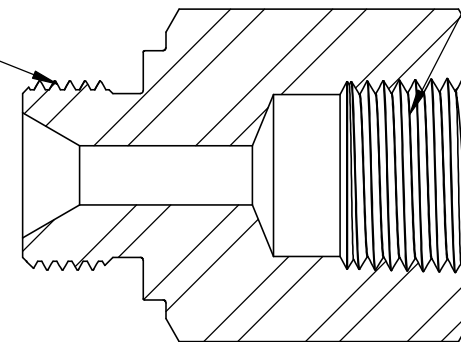


3/8"-19 BSPP Male  
per MASTER\_6BM

3/8"-18 NPT Female  
per MASTER\_6NF



SECTION A-A

UNLESS OTHERWISE SPECIFIED:

ALL DIMENSIONS ARE IN INCHES  
TOLERANCES AS FOLLOWS:  
1 PLACE DECIMAL (.0): ±.030  
2 PLACE DECIMAL (.00): ±.020  
3 PLACE DECIMAL (.000): ±.010  
ANGLES: ±2°

SURFACE FINISH: 63RMS  
BREAK ALL EDGES: .010-.015  
FILLETS & ROUNDINGS: R.015 - 0.30

THREADS UNIFIED CLASS 2A - 2B  
CHAMFER THREADS 45° TO ROOT  
30° CHAMFER IS OPTIONAL  
FOR MALE THREADS ONLY

	NAME	DATE
DRAWN	MH	07/03/2020
CHECKED	KH	07/03/2020
DATE STARTED IN PRODUCTION:		
07/03/2020		



**ULTRA PRESSURE COMPONENTS  
HOUSTON, TX**

TITLE:  
3/8" NPT Female x 3/8" BSPP Male  
15,000 psi

SIZE	DWG. NO.	REV
<b>A</b>	5406-6N6B	<b>1</b>

SCALE: 1.5:1    WEIGHT: 0.24    SHEET 1 OF 1

REVISION NOTES AND DATES

**PROPRIETARY AND CONFIDENTIAL**

THE INFORMATION CONTAINED IN THIS DRAWING IS THE SOLE PROPERTY OF ULTRA PRESSURE COMPONENTS. ANY REPRODUCTION IN PART OR AS A WHOLE WITHOUT THE WRITTEN PERMISSION OF ULTRA PRESSURE COMPONENTS IS PROHIBITED.