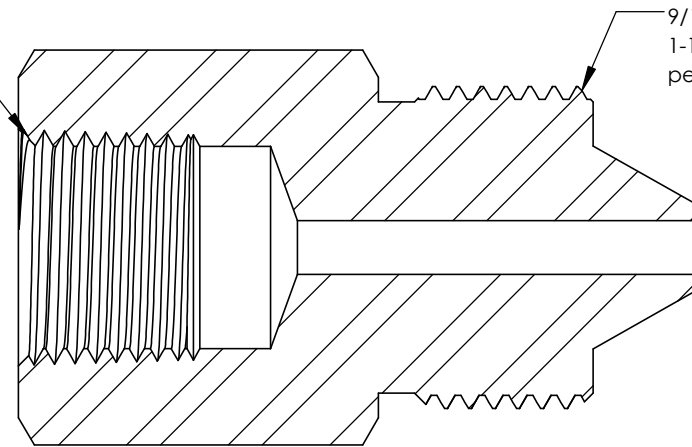


1/2"-14 NPT Female
per MASTER_8NF rev1



9/16" HP Male
1-1/8"-12UN Thread
per MASTER_9HM rev1

SECTION A-A
SCALE 1.5 : 1

UNLESS OTHERWISE SPECIFIED:

- 1) DIMENSIONS ARE IN INCHES
- 2) TOLERANCES:
 FRACTIONAL $\pm 1/64"$
 ANGULAR: MACH $\pm 2^\circ$
 ONE PLACE DECIMAL $\pm .020$
 TWO PLACE DECIMAL $\pm .010$
 THREE PLACE DECIMAL $\pm .005$
- 3) THREADS UNIFIED CLASS
 2A - 2B
- 4) SURFACE FINISH 63uIn Ra
- 5) CHAMFER THREADS:
 MALE - 30° TO ROOT
 FEMALE - 45° TO ROOT

	NAME	DATE
DRAWN	MH	7/18/2013
CHECKED	KH	10/13/16
DATE STARTED IN PRODUCTION:		
10/13/16		

**ULTRA PRESSURE COMPONENTS
HOUSTON, TX**

TITLE:
1/2" NPT FEMALE x 9/16" HP MALE
15,000 PSI

SIZE A	DWG. NO. 5406-8N9H	REV 1
------------------	-----------------------	----------

SCALE: 1.5:1 WEIGHT: 0.53 SHEET 1 OF 1



REVISION NOTES AND DATES

PROPRIETARY AND CONFIDENTIAL

THE INFORMATION CONTAINED IN THIS DRAWING IS THE SOLE PROPERTY OF ULTRA PRESSURE COMPONENTS. ANY REPRODUCTION IN PART OR AS A WHOLE WITHOUT THE WRITTEN PERMISSION OF ULTRA PRESSURE COMPONENTS IS PROHIBITED.