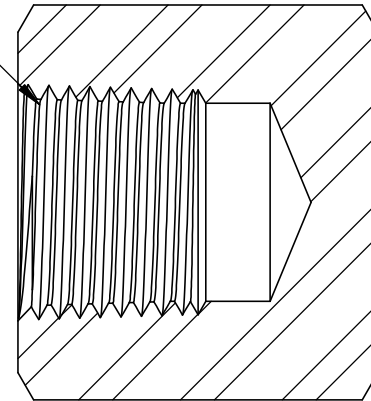


1/2"-14 NPT Female  
per MASTER\_8NF



SECTION A-A

REVISION NOTES AND DATES

UNLESS OTHERWISE SPECIFIED:

ALL DIMENSIONS ARE IN INCHES  
TOLERANCES AS FOLLOWS:  
1 PLACE DECIMAL (.0): ±.030  
2 PLACE DECIMAL (.00): ±.020  
3 PLACE DECIMAL (.000): ±.010  
ANGLES: ±2°

SURFACE FINISH: 63RMS  
BREAK ALL EDGES: .010-.015  
FILLETS & ROUNDINGS: R.015 - 0.30

THREADS UNIFIED CLASS 2A - 2B  
CHAMFER THREADS 45° TO ROOT  
30° CHAMFER IS OPTIONAL  
FOR MALE THREADS ONLY

	NAME	DATE
DRAWN	BM	07/31/2020
CHECKED	KH	07/31/2020
DATE STARTED IN PRODUCTION:		
07/31/2020		



**ULTRA PRESSURE COMPONENTS  
HOUSTON, TX**

TITLE:  
**1/2" NPT Female Cap  
15,000 psi**

SIZE <b>A</b>	DWG. NO. 5406C-8N	REV <b>1</b>
------------------	----------------------	-----------------

SCALE: 1.5:1    WEIGHT: 0.33    SHEET 1 OF 1

**PROPRIETARY AND CONFIDENTIAL**  
THE INFORMATION CONTAINED IN THIS DRAWING IS THE SOLE PROPERTY OF ULTRA PRESSURE COMPONENTS. ANY REPRODUCTION IN PART OR AS A WHOLE WITHOUT THE WRITTEN PERMISSION OF ULTRA PRESSURE COMPONENTS IS PROHIBITED.