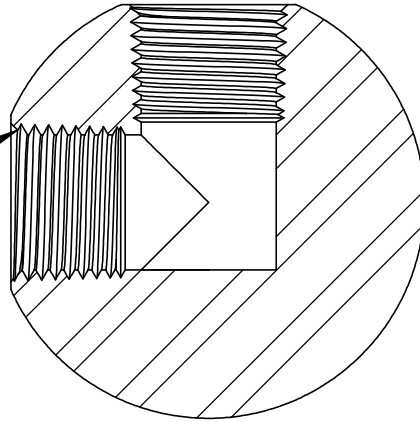
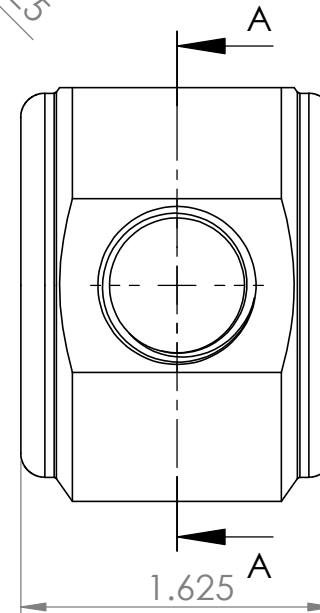


1/2" NPT FEMALE PER
MASTER_8NF rev1 X2



SECTION A-A



UNLESS OTHERWISE SPECIFIED:

- 1) DIMENSIONS ARE IN INCHES
- 2) TOLERANCES:
 FRACTIONAL $\pm 1/64"$
 ANGULAR: MACH $\pm 2^\circ$
 ONE PLACE DECIMAL $\pm .020$
 TWO PLACE DECIMAL $\pm .010$
 THREE PLACE DECIMAL $\pm .005$
- 3) THREADS UNIFIED CLASS
 2A - 2B
- 4) SURFACE FINISH 63uIn Ra
- 5) CHAMFER THREADS:
 MALE - 30° TO ROOT
 FEMALE - 45° TO ROOT

	NAME	DATE
DRAWN	KH	7/18/2013
CHECKED	KH	07/18/13
DATE STARTED IN PRODUCTION:		
07/18/13		



**ULTRA PRESSURE COMPONENTS
HOUSTON, TX**

TITLE:
1/2" NPT FEMALE ELBOW
15,000 PSI

SIZE A	DWG. NO. 5504-8N8N	REV 0
------------------	-----------------------	-----------------

SCALE: 1:1 WEIGHT: 1.45 SHEET 1 OF 1

REVISION NOTES AND DATES

PROPRIETARY AND CONFIDENTIAL

THE INFORMATION CONTAINED IN THIS DRAWING IS THE SOLE PROPERTY OF ULTRA PRESSURE COMPONENTS. ANY REPRODUCTION IN PART OR AS A WHOLE WITHOUT THE WRITTEN PERMISSION OF ULTRA PRESSURE COMPONENTS IS PROHIBITED.