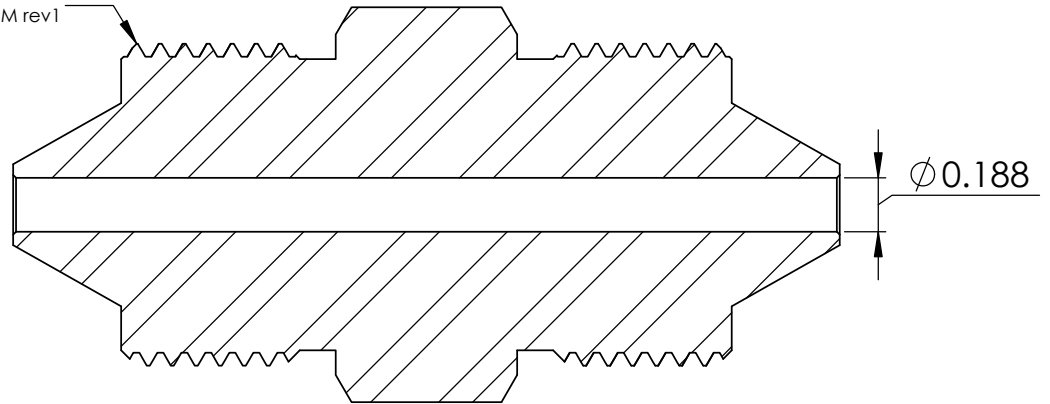


9/16" HP MALE
1-1/8"-12UN
PER MASTER_9HM rev1
(BOTH SIDES)



SECTION A-A

UNLESS OTHERWISE SPECIFIED:

- 1) DIMENSIONS ARE IN INCHES
- 2) TOLERANCES:
FRACTIONAL $\pm 1/64"$
ANGULAR: MACH $\pm 2^\circ$
ONE PLACE DECIMAL $\pm .020$
TWO PLACE DECIMAL $\pm .010$
THREE PLACE DECIMAL $\pm .005$
- 3) THREADS UNIFIED CLASS
2A - 2B
- 4) SURFACE FINISH 63uIn Ra
- 5) CHAMFER THREADS:
MALE - 30° TO ROOT
FEMALE - 45° TO ROOT

	NAME	DATE
DRAWN	MH	3/1/2017
CHECKED	KH	3/1/2017

DATE STARTED IN PRODUCTION:	
3/1/2017	



**ULTRA PRESSURE COMPONENTS
HOUSTON, TX**

TITLE:
9/16" HP Male x 9/16" HP Male

SIZE A	DWG. NO. 5404-9H9H	REV 0
------------------	-----------------------	----------

SCALE: 1.5:1 WEIGHT: 0.62 SHEET 1 OF 1

REVISION NOTES AND DATES

PROPRIETARY AND CONFIDENTIAL

THE INFORMATION CONTAINED IN THIS DRAWING IS THE SOLE PROPERTY OF ULTRA PRESSURE COMPONENTS. ANY REPRODUCTION IN PART OR AS A WHOLE WITHOUT THE WRITTEN PERMISSION OF ULTRA PRESSURE COMPONENTS IS PROHIBITED.