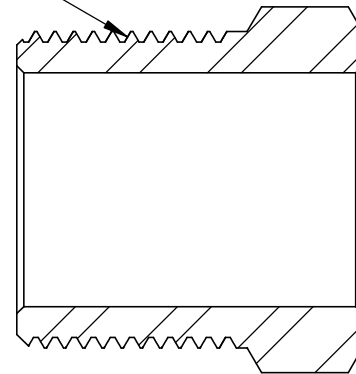
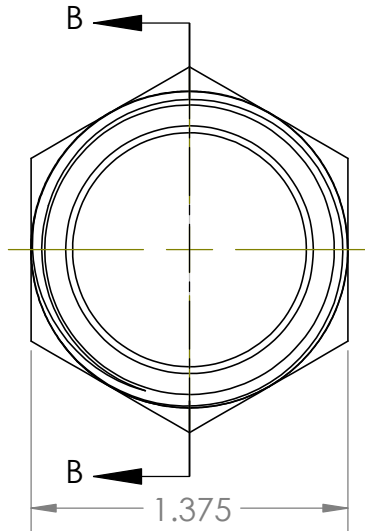


1-3/8" - 12 UNF THREAD
 Major diameter: 1.3731 / 1.3617
 Pitch diameter: 1.3190 / 1.3127
 Minor diameter: 1.2739 / 1.2534



REVISION NOTES AND DATES

UNLESS OTHERWISE SPECIFIED:

- 1) DIMENSIONS ARE IN INCHES
- 2) TOLERANCES:
 FRACTIONAL $\pm 1/64"$
 ANGULAR: MACH $\pm 2^\circ$
 ONE PLACE DECIMAL $\pm .020$
 TWO PLACE DECIMAL $\pm .010$
 THREE PLACE DECIMAL $\pm .005$
- 3) THREADS UNIFIED CLASS
 2A - 2B
- 4) SURFACE FINISH 63 μ in Ra
- 5) CHAMFER THREADS:
 MALE - 30° TO ROOT
 FEMALE - 45° TO ROOT

	NAME	DATE
DRAWN	MH	7/18/2013
CHECKED	KH	12/07/2022
DATE STARTED IN PRODUCTION:		
12/07/2022		

**ULTRA PRESSURE COMPONENTS
 HOUSTON, TX**

TITLE:
 1" MP GLAND NUT
 20,000 PSI



SIZE A	DWG. NO. 0318-16M	REV Y
------------------	----------------------	-----------------

SCALE: 1.2:1 WEIGHT: 0.28 SHEET 1 OF 1

PROPRIETARY AND CONFIDENTIAL
 THE INFORMATION CONTAINED IN THIS DRAWING IS THE SOLE PROPERTY OF ULTRA PRESSURE COMPONENTS. ANY REPRODUCTION IN PART OR AS A WHOLE WITHOUT THE WRITTEN PERMISSION OF ULTRA PRESSURE COMPONENTS IS PROHIBITED.