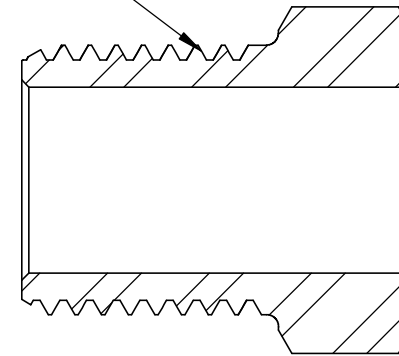


9/16"-18UN Male Thread



SECTION B-B

REVISION NOTES AND DATES

UNLESS OTHERWISE SPECIFIED:

ALL DIMENSIONS ARE IN INCHES
 TOLERANCES AS FOLLOWS:
 1 PLACE DECIMAL (.0): ±.020
 2 PLACE DECIMAL (.00): ±.010
 3 PLACE DECIMAL (.000): ±.005
 ANGLES: ±2°

SURFACE FINISH: 63RMS
 BREAK ALL EDGES: .010-.015
 FILLETS & ROUNDINGS: R.015 - 0.30

THREADS UNIFIED CLASS 2A - 2B
 CHAMFER THREADS 45° TO ROOT
 30° CHAMFER IS OPTIONAL
 FOR MALE THREADS ONLY

	NAME	DATE
DRAWN	BM	12/07/2022
CHECKED	KH	12/07/2022
DATE STARTED IN PRODUCTION:		
12/07/2022		

**ULTRA PRESSURE COMPONENTS
 HOUSTON, TX**

TITLE:
**3/8 MEDIUM PRESSURE GLAND
 20,000 PSI**

SIZE A	DWG. NO. 0318-6M	REV Y
------------------	---------------------	-----------------

SCALE: 2.5:1 WEIGHT: 0.03 SHEET 1 OF 1

PROPRIETARY AND CONFIDENTIAL
 THE INFORMATION CONTAINED IN THIS DRAWING IS THE SOLE PROPERTY OF ULTRA PRESSURE COMPONENTS. ANY REPRODUCTION IN PART OR AS A WHOLE WITHOUT THE WRITTEN PERMISSION OF ULTRA PRESSURE COMPONENTS IS PROHIBITED.

