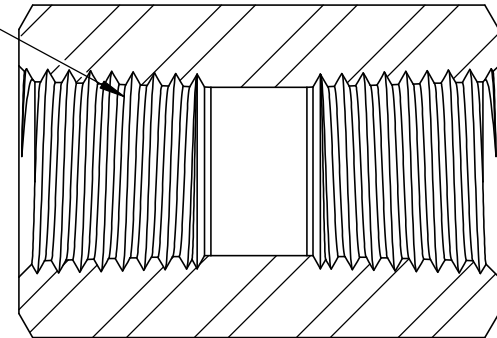


1/4"-18NPT  
Female Threads  
Both Sides



SECTION C-C

UNLESS OTHERWISE SPECIFIED:

- 1) DIMENSIONS ARE IN INCHES
- 2) TOLERANCES:  
 FRACTIONAL  $\pm 1/64"$   
 ANGULAR: MACH  $\pm 2^\circ$   
 ONE PLACE DECIMAL  $\pm .020$   
 TWO PLACE DECIMAL  $\pm .010$   
 THREE PLACE DECIMAL  $\pm .005$
- 3) THREADS UNIFIED CLASS  
 2A - 2B
- 4) SURFACE FINISH 63 $\mu$ in Ra
- 5) CHAMFER THREADS:  
 MALE - 30° TO ROOT  
 FEMALE - 45° TO ROOT

	NAME	DATE
DRAWN	BM	12/2/2022
CHECKED	KH	12/07/2022
DATE STARTED IN PRODUCTION:		
12/07/2022		



**ULTRA PRESSURE COMPONENTS  
HOUSTON, TX**

TITLE:  
1/4" NPT FEMALE X 1/4" NPT FEMALE  
15,000 psi

SIZE <b>A</b>	DWG. NO. 5000-4N4N	REV <b>Y</b>
------------------	-----------------------	-----------------

SCALE: 2:1    WEIGHT: 0.11    SHEET 1 OF 1

REVISION NOTES AND DATES

**PROPRIETARY AND CONFIDENTIAL**  
 THE INFORMATION CONTAINED IN THIS DRAWING IS THE SOLE PROPERTY OF ULTRA PRESSURE COMPONENTS. ANY REPRODUCTION IN PART OR AS A WHOLE WITHOUT THE WRITTEN PERMISSION OF ULTRA PRESSURE COMPONENTS IS PROHIBITED.