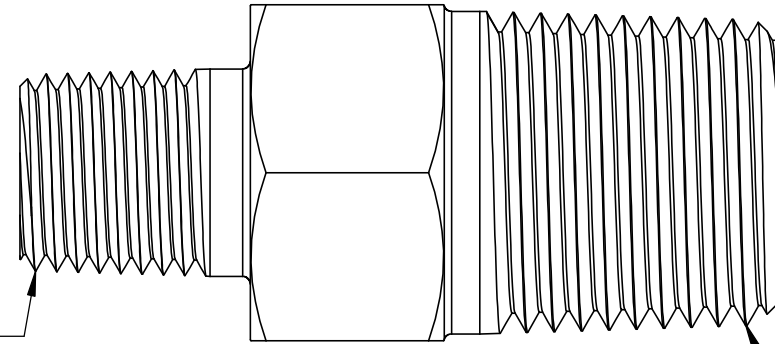
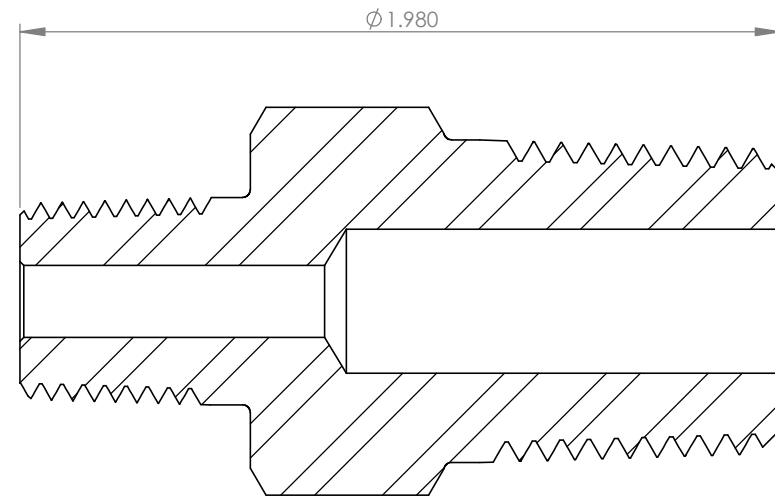
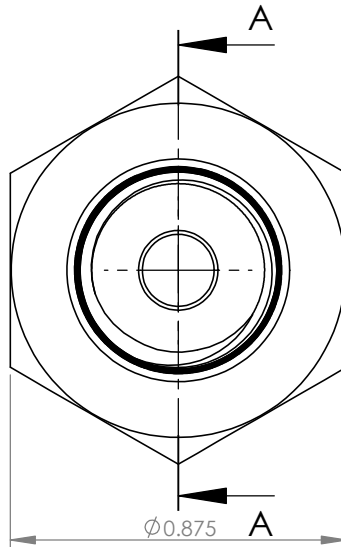


1/4" NPT MALE PER
MASTER_4NM REV1



1/2" NPT MALE PER
MASTER_8NM REV1



SECTION A-A
SCALE 2 : 1

REVISION NOTES AND DATES

UNLESS OTHERWISE SPECIFIED:

- 1) DIMENSIONS ARE IN INCHES
- 2) TOLERANCES:
 FRACTIONAL $\pm 1/64"$
 ANGULAR: MACH $\pm 2^\circ$
 ONE PLACE DECIMAL $\pm .020$
 TWO PLACE DECIMAL $\pm .010$
 THREE PLACE DECIMAL $\pm .005$
- 3) THREADS UNIFIED CLASS
 2A - 2B
- 4) SURFACE FINISH 63 μ in Ra
- 5) CHAMFER THREADS:
 MALE - 30° TO ROOT
 FEMALE - 45° TO ROOT

	NAME	DATE
DRAWN	MH	7/18/2013
CHECKED	KH	09/27/16
DATE STARTED IN PRODUCTION:		
09/27/16		

**ULTRA PRESSURE COMPONENTS
HOUSTON, TX**

TITLE:

1/4" NPT MALE x 1/2" NPT MALE
15,000 PSI

PROPRIETARY AND CONFIDENTIAL

THE INFORMATION CONTAINED IN THIS DRAWING IS THE SOLE PROPERTY OF ULTRA PRESSURE COMPONENTS. ANY REPRODUCTION IN PART OR AS A WHOLE WITHOUT THE WRITTEN PERMISSION OF ULTRA PRESSURE COMPONENTS IS PROHIBITED.



SIZE	DWG. NO.	REV
A	5404-4N8N	Y

SCALE: 1:1 WEIGHT: 0.20 SHEET 1 OF 1