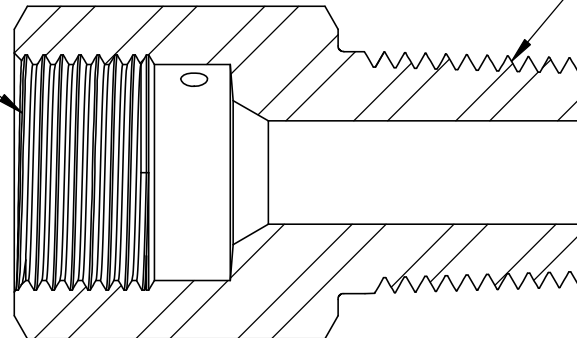


9/16" MP Female
13/16"-16UN Thread
per MASTER_9MF

1/2"-14 NPT Male
per MASTER_8NM



SECTION A-A

UNLESS OTHERWISE SPECIFIED:

	NAME	DATE
DRAWN	MH	5/3/2018
CHECKED	KH	5/3/2018
DATE STARTED IN PRODUCTION:		
5/3/2018		

**ULTRA PRESSURE COMPONENTS
HOUSTON, TX**

REVISION NOTES AND DATES

- 1) DIMENSIONS ARE IN INCHES
- 2) TOLERANCES:
FRACTIONAL $\pm 1/64"$
ANGULAR: MACH $\pm 2^\circ$
ONE PLACE DECIMAL $\pm .020$
TWO PLACE DECIMAL $\pm .010$
THREE PLACE DECIMAL $\pm .005$
- 3) THREADS UNIFIED CLASS
2A - 2B
- 4) SURFACE FINISH 63 μ in Ra
- 5) CHAMFER THREADS:
MALE - 30° TO ROOT
FEMALE - 45° TO ROOT

TITLE:

9/16" MP Female X 1/2" NPT Male
15,000 psi

PROPRIETARY AND CONFIDENTIAL
THE INFORMATION CONTAINED IN THIS DRAWING IS THE SOLE PROPERTY OF ULTRA PRESSURE COMPONENTS. ANY REPRODUCTION IN PART OR AS A WHOLE WITHOUT THE WRITTEN PERMISSION OF ULTRA PRESSURE COMPONENTS IS PROHIBITED.



SIZE	DWG. NO.	REV
A	5406-9M8N	0

SCALE: 1.5:1 WEIGHT: 0.26 SHEET 1 OF 1